



TAVANNES MANUFACTURE Co

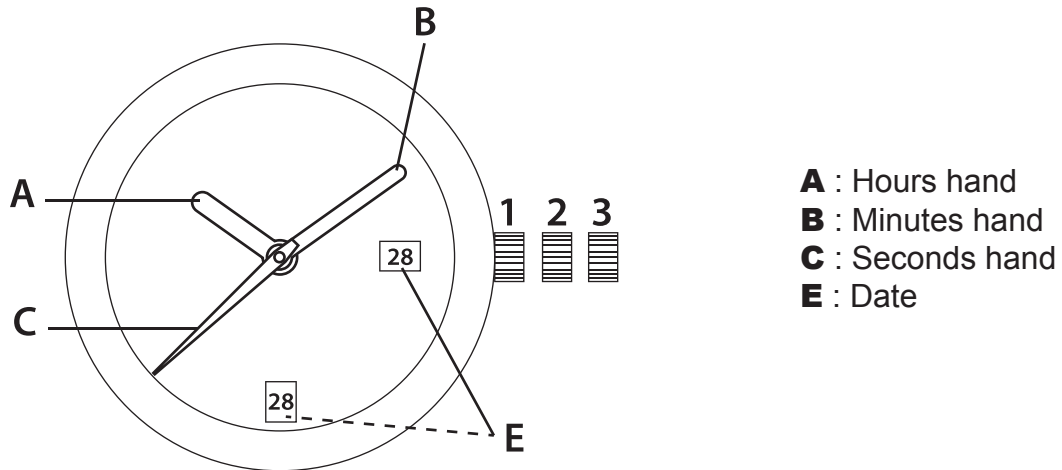


TWC
TAVANNES WATCH Co
Est. 1891

35
TAVANNES TA-VAN
Est. 1891



QUARTZ MOVEMENT - HOUR, MINUTE, SECONDS, DATE



SETTING PROCEDURE

Setting the time

1. Pull the crown to Position 3.
2. Turn the crown to advance the hands (A, B) clockwise and position them at the desired time.
Note: When the hands (A) pass the 12, if the date changes, it means it is midnight and if the date does not change, it means it is noon.
3. When the start of the set time is announced (reference clock, radio, etc.), reset the crown to Position 1.

Rapid date change

1. Pull the crown to Position 2.
 2. Turn the crown to advance the date (E) chronologically, until the desired date appears.
 3. Reset the crown to Position 1.
- For months with less than 31 days, the date must be changed manually at the end of the month.



TAVANNES MANUFACTURE Co



TWC
TAVANNES WATCH Co
Est. 1891

TAVANNES TA-VAN
Est. 1891



TAVANNES WATCH Co

GENERAL INFORMATION

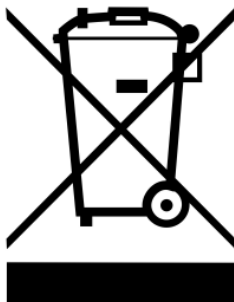
Care recommendations

Your Tavannes Watch Co. watch was both designed and manufactured with great care. Please read our recommendations for use and care on www.tavannes-watch.swiss.

International warranty

Your Tavannes Watch Co. watch is covered by the Tavannes Watch Co. International Warranty.

The conditions of the Tavannes Watch Co. International Warranty are available on www.tavannes-watch.swiss.



Collection and treatment of end of life quartz watches*

Quartz watches contain a battery as well as other electronic components. When your watch is serviced, your authorized Tavannes Watch Co. retailer or After-Sales Service Center will take care of storing and disposing of these components in compliance with current laws.

This symbol indicates that this product should not be disposed with household waste. It has to be returned to a local authorized collection system. By following this procedure you will contribute to the protection of the environment and human health. The recycling of the materials will help to conserve natural resources.

*Valid in EU member states and in any countries with corresponding legislation.

Note: Since 2011, all batteries used in Tavannes Watch Co. watches are mercury-free.

Other information

If you have any questions, please visit our website www.tavannes-watch.swiss. You can also contact our authorized retailers in your country (list available on our website www.tavannes-watch.swiss) or contact us directly via our website using the contact form.